

PASSIVE FIRE PROTECTION SYSTEMS



BUTELINE POLYBUTE (PB) PIPE SYSTEMS FIRE TEST RESULTS

Allproof have conducted various passive fire tests with independent IANZ accredited fire testing laboratories using *Buteline Polybute (PB)* pipe systems. All tests are conducted in accordance with AS1530.4 - 2014 and AS4072.1 - 2005.

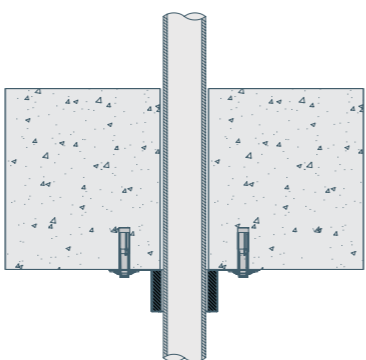
This document outlines the tested scenarios with Buteline Polybutylene pipes. For installation and all other details please visit allproof.com and/or talk to an Allproof sales rep.



Full test literature & install information available from allproof.com

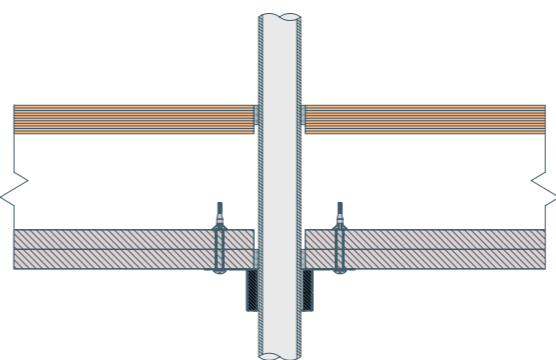


Product: ALLFC25

Install: 120mm (minimum) Concrete Floor Slab
Product: ALLFC25

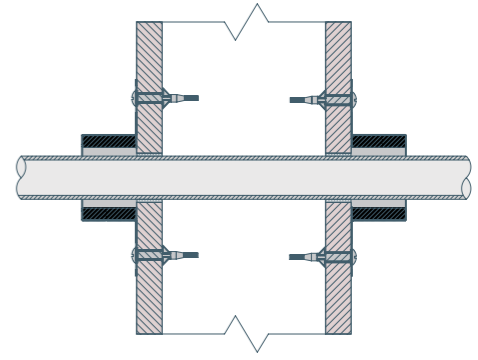
NOMINAL PIPE SIZE (MM)	FRL
18	-/120/120
22	-/120/120
28	-/120/120



Install: 2 x 13mm Fire Rated Plasterboard Ceiling
Product: ALLFC25

NOMINAL PIPE SIZE (MM)	FRL
18	-/90/90
22	-/90/90
28	-/90/90

190mm deep timber framing, two layers of FR plasterboard and 19mm particleboard flooring - total floor-ceiling thickness 235mm.



Install: 13mm/19mm Fire Rated Plasterboard Wall
Product: ALLFC25

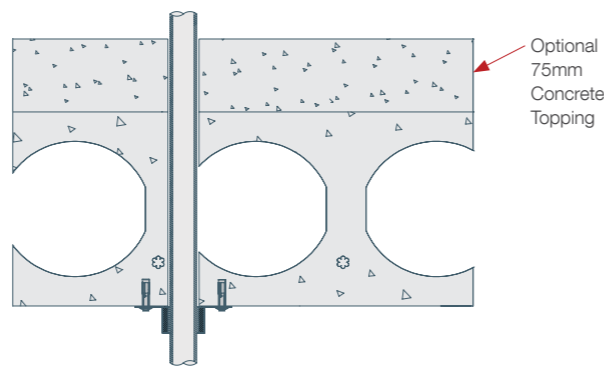
PLASTERBOARD SIZE (MM)	NOMINAL PIPE SIZE (MM)	FRL
13	12	-/60/30
13	18	-/60/30
13	22	-/60/45
13	28	-/60/60
19	22	-/120/90

64mm wide steel stud with a single layer of 13mm / 19mm fire rated plasterboard - total wall thickness 90mm

Install: 13mm Non-Fire Rated Plasterboard Wall
Product: ALLFC25

NOMINAL PIPE SIZE (MM)	FRL
22	-/30/30

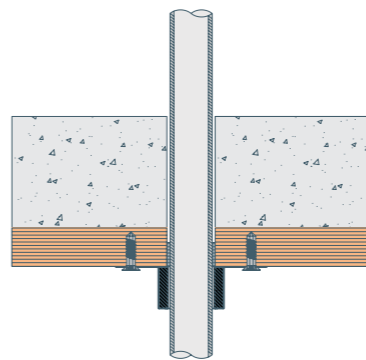
64mm wide steel stud with a single layer of 13mm non-fire rated plasterboard - total wall thickness 90mm



Install: 150mm Hollow Core Floor Slab
Product: ALLFC25

NOMINAL PIPE SIZE (MM)	FRL
18	-/60/60
28	-/60/60

75mm concrete topping can be added to 150mm hollow core floor to achieve -/90/90 FRL



Install: Rib & Timber Infill / Ply Infill
Product: ALLFC25

NOMINAL PIPE SIZE (MM)	FRL
18	-/90/90
28	-/90/90

TR Infill: 70mm concrete with single layer of 25mm timber.
Ply Infill: 75mm concrete with single layer of 19mm ply.

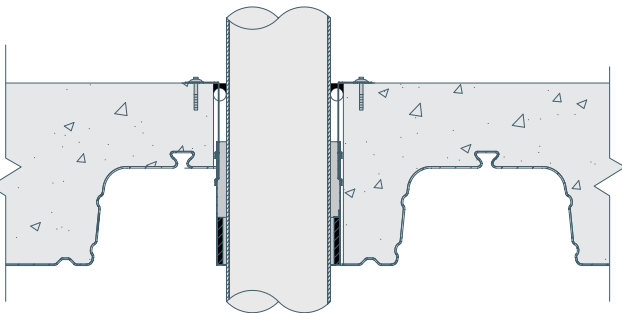
Note: Pipe sizes adjusted for consistency with Butelines product descriptions, variations may be present if cross referencing with Allproof's testing documents due to nominal/physical measurements taken at time of testing.

CONTINUED >

Product: DIFC32



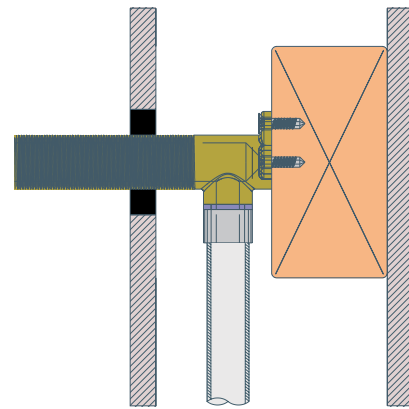
Product: MAS310



Install: ComFlor 60 - Composite Floor

Product: DIFC32

NOMINAL PIPE SIZE (MM)	FRL
18	-/120/90
22	-/120/60
28	-/120/120



Install: 13mm Fire Rated Plasterboard Wall

Product: MAS310

DESCRIPTION	PENETRATION HOLE SIZE (MM)	FRL
15mm Brass Wingback with Pipe	40	-/60/60

* Tested using a 64mm wide steel stud with a single layer of 13mm fire rated plasterboard on each side of the frame. A total wall thickness of 90mm. Tested as a single-sided penetration on both the unexposed and exposed face of the wall. 10mm annular gap filled with fire rated sealant to the full lining depth occupying the space between the service and plasterboard on both the exposed and unexposed face.

Note: Pipe sizes adjusted for consistency with Butelines product descriptions, variations may be present if cross referencing with Allproof's testing documents due to nominal/physical measurements taken at time of testing.